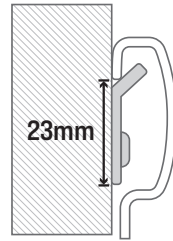
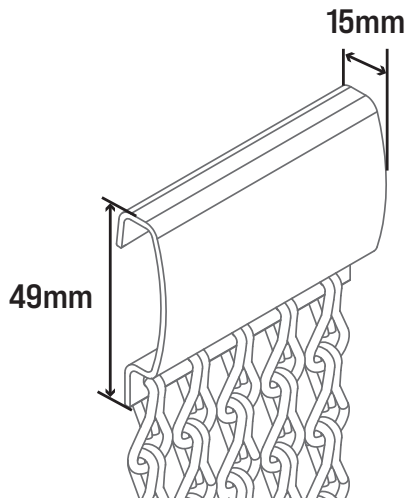


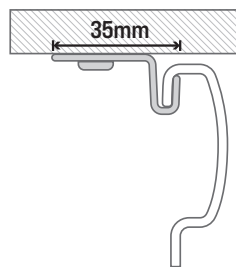
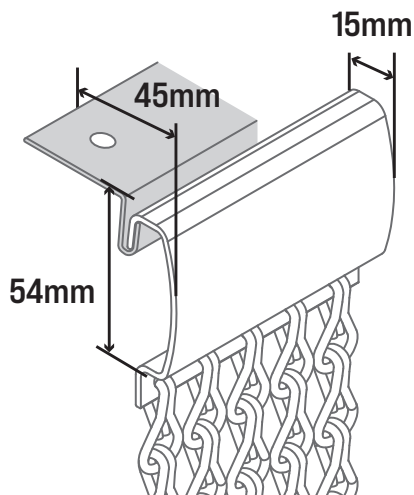
FITTING BRACKETS | YOUR TWO OPTIONS

FACE PLATE FITTING



This diagram illustrates a face plate fitting that is fitted onto the front / face of the frame or just above the opening. The screen is simply fitted onto the face plate bracket where it will sit securely until you need to lift the screen off for cleaning or relocation.

HOOK FITTING



This diagram illustrates a hook fitting that is fitted to the underside of the opening or directly to the ceiling if the screen is to be used as a divider / partition. The screen is simply lifted onto the hook fitting where it will sit securely until you need to lift the screen off for cleaning or relocation.